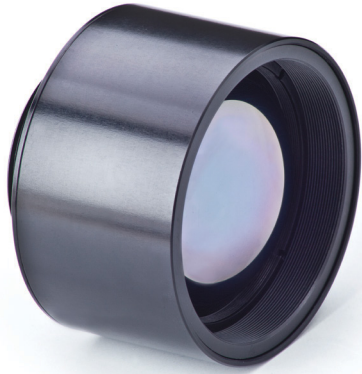
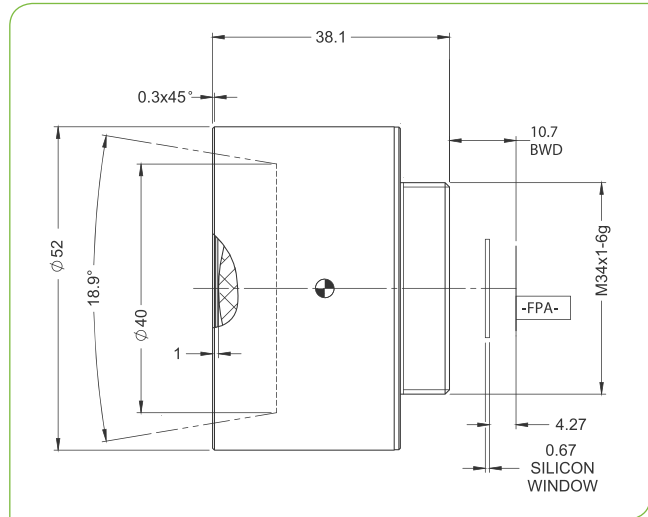


SupIR 40mm f/1.0, Fixed Athermalized 680277

TYPICAL ICD*



**HD
FORMAT**



LWIR | 1-FOV

HFOV	320x240	384x288	640x480	1024x768
17μ	7.8°	9.3°	15.3°	
12μ	5.5°	6.6°	10.9°	17.2°

Property	Value				
Optical					
Focal Length	40mm				
F#	1.0				
Average transmission (8-12μm)	94% (HD)				
Back Focal Length	17.8mm in air				
Mechanical					
Focus Mechanism	Fixed				
Depth of Field	100m to infinity				
Focus Range	3m to infinity				
Weight	121gr				
Max. Dimensions	Ø52mm x 38.1mm				
Environmental					
Operation Temperature	-40°C to +80°C				
Storage Temperature	-50°C to +85°C				
Sealing	IP 67 front element only				
Configurations	Weight (gr)	Dimensions	BWD**	Thread	Coating
680277-001	121	Ø52mm x 38.1mm	10.7	M34x1	HD
680277-002					HC

* The ICD drawing provided here is primarily a representation and may not accurately reflect the product's actual dimensions and specifications. For precise integration specifications contact your local sales representative.

** The BWD value is calculated for a unique detector setup with varying sealing windows in terms of thickness and material. For more details, contact your local sales representative.